

8	7	6	5	4	3	2	1
●	●	●	●	●	●	●	●
A5	A4	A3	A2	A1	B5	B3	B1,B2,B4
b5	b4	b3	b2	b1			Gnd

ARDUINO

18	17	16	15	14	19	10
PC4	PC3	PC2	PC1	PC0	PC5	PB2

1	2	3	4	5	6	7	8	9	10	11	12	13	14
●	●	●	●	●	●	●	●	●	●	●	●	●	●
Vss	Vcc	V0	RS	RW	E	B0	B1	B2	B3	B4	B5	B6	B7
Gnd	5V	Pos		Gnd									

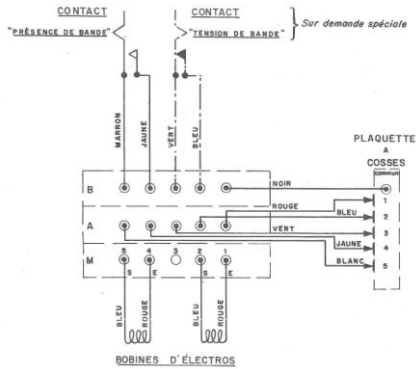
ARDUINO

6	7	5	4	3	2
PD6	PD7	PD5	PD4	PD3	PD2

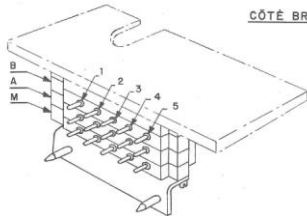
JP1	JP2	JP3	●
●	●	●	●
EM	CYCLE	STEP	PULSE
			2ms

ARDUINO

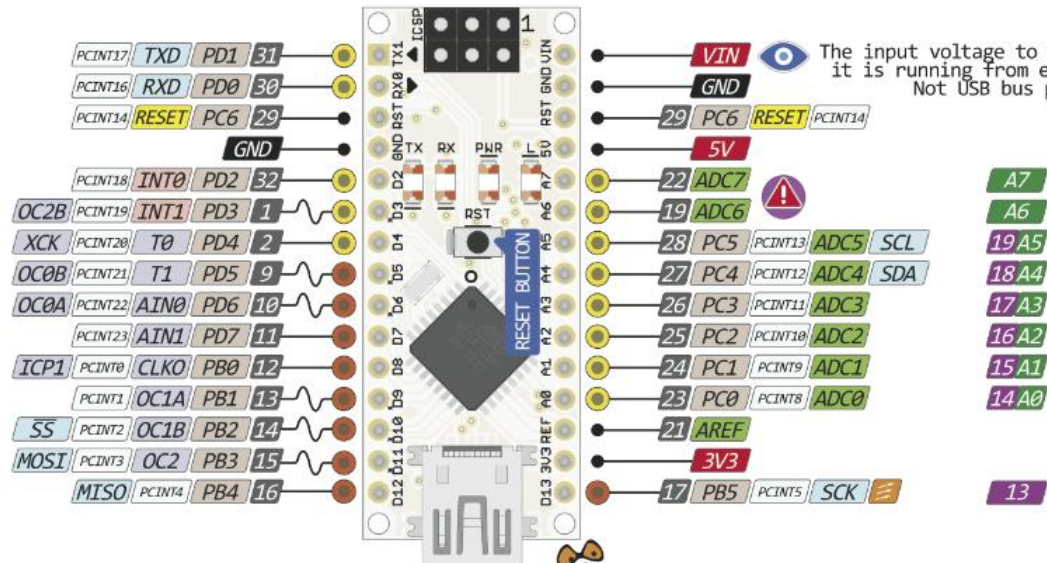
13	8	11	9
PB5	PB0	PB3	PB1



CÔTÉ BROCHES



- 1
- 0
- 2
- 3
- 4
- 5
- 6
- 7
- 8
- 9
- 10
- 11
- 12



The input voltage to the board when it is running from external power. Not USB bus power.

